

ECO 50M

Deblistering Machine

IMEL presents its innovative deblistering universal modular machine. Thought and studied to make the delistering process easier and faster. What makes this machine efficient and safe is the thought hold in its planning.



IMEL wanted to make the deblistering process accessible to any operator; thanks to the use of a patented system which allows a fast format change.

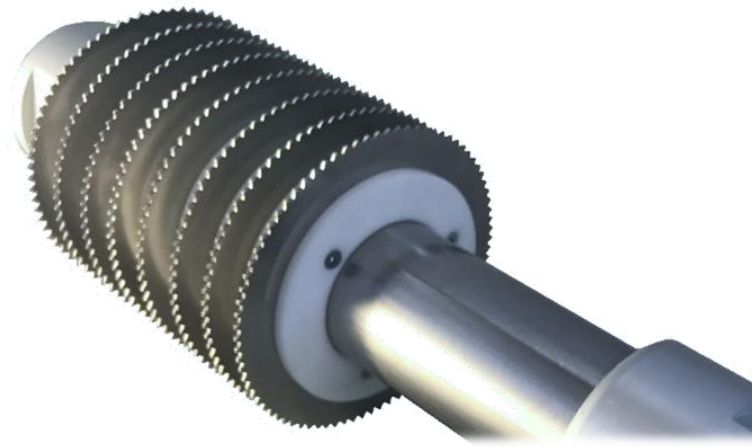
SIMPLE AND EFFICIENT

IMEL S.r.l.

ENG

SIMPLE

ECO50M is equipped with a pulling roll, which even allows the less experienced operator to change autonomously the format.

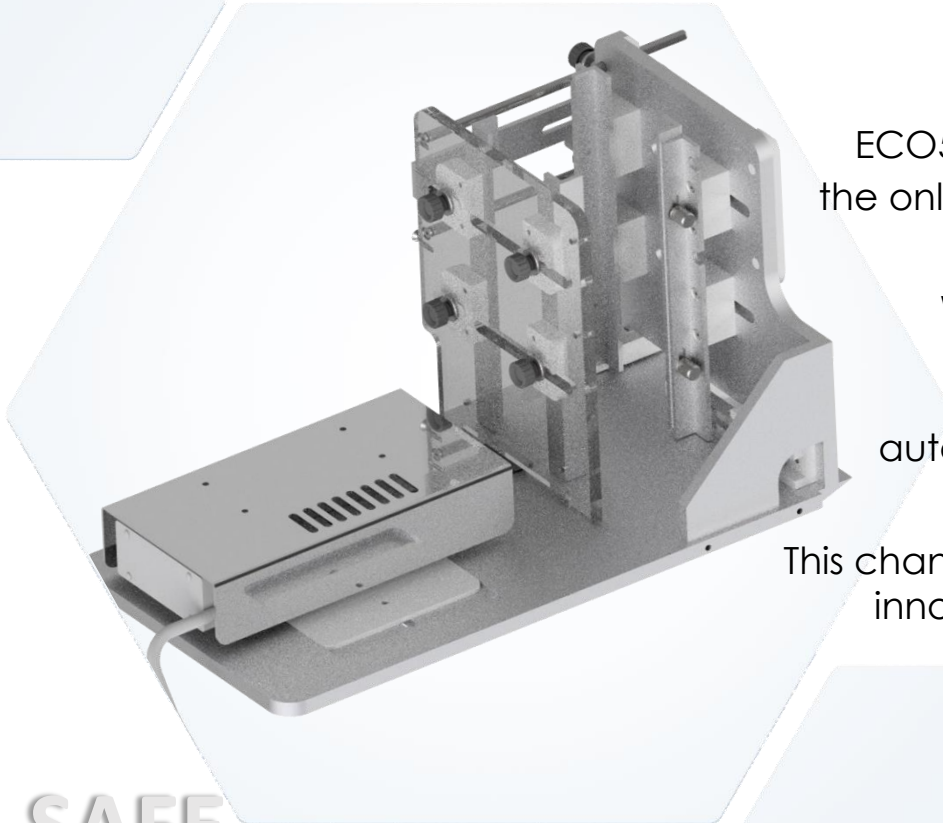


MODULAR

ECO50M is known in the market as the only deblistering machine with a modular configuration.

What makes it innovative is its flexibility to pass from a semi-automatic machine to an automatic one, by changing the blister integration group.

This change occurs easily, thanks to an innovative plug and play system.



SAFE

ECO50M has been projected by thinking about the operator's safety. The machine is equipped with a protection sensor which verifies the machine closing and the correct functioning of the rescue box.



SCAN ME



IMEL S.r.l.
www.imel-srl.com

IMEL S.r.l.

Email : imel@imel-srl.com

Via M. Candia, 19 20081-MORIMONDO (MI) - ITALY